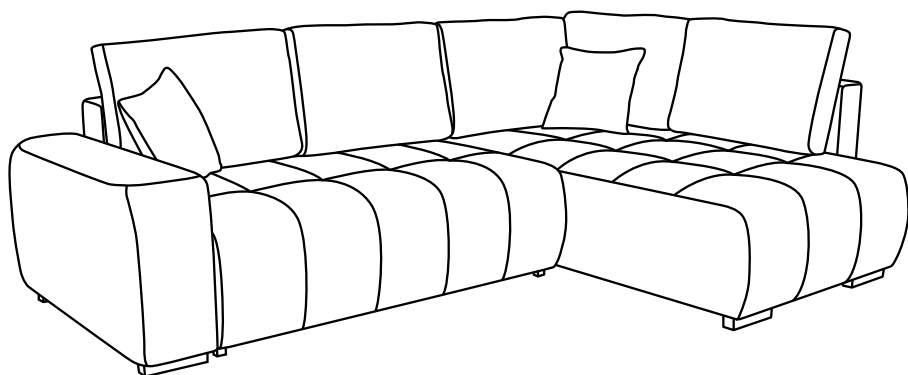
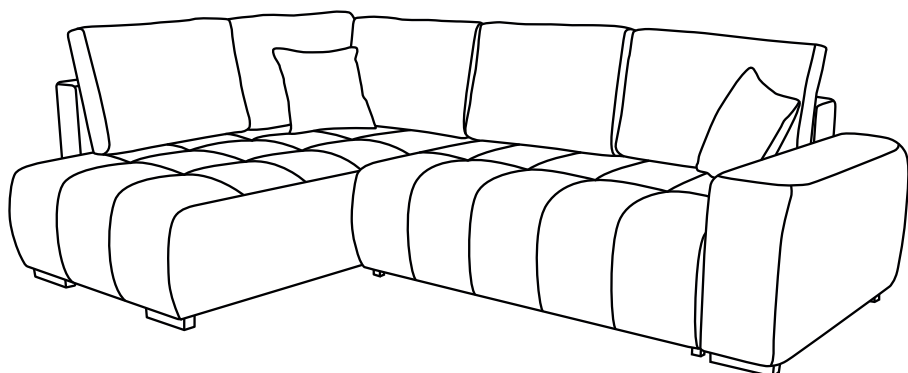
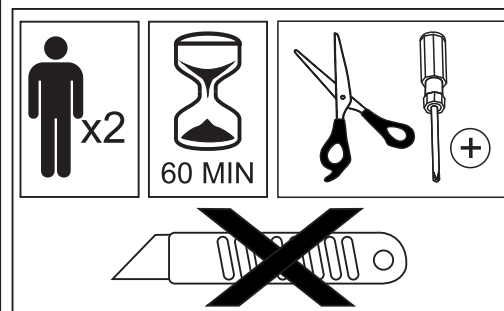


Model : GYLIAN



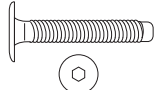

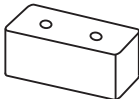
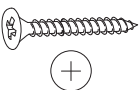


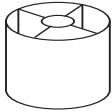

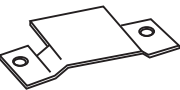
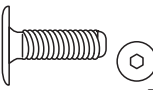
Angle droit

Page: 2-5



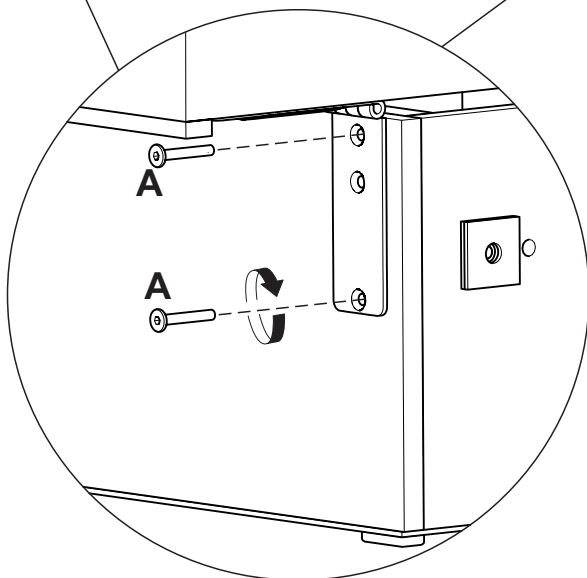
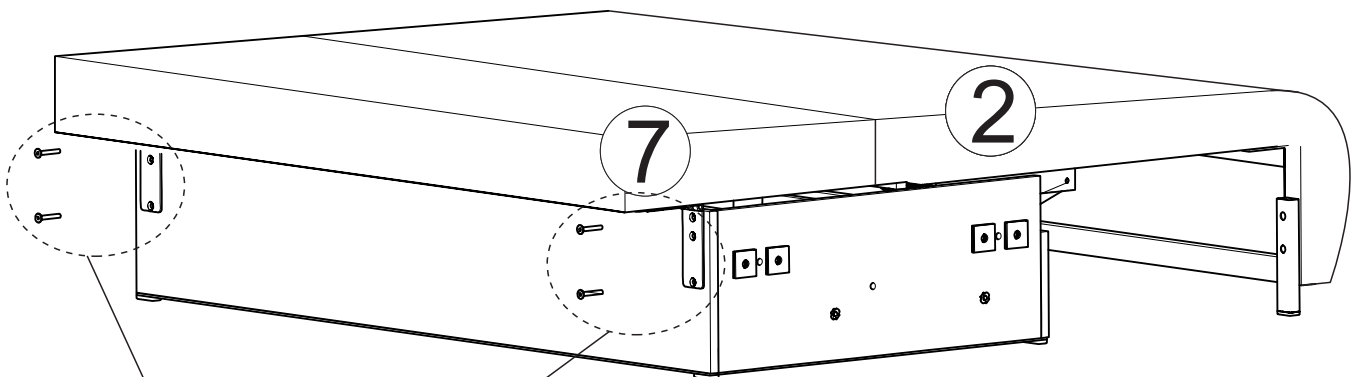
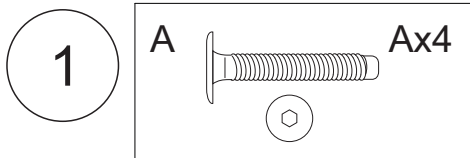
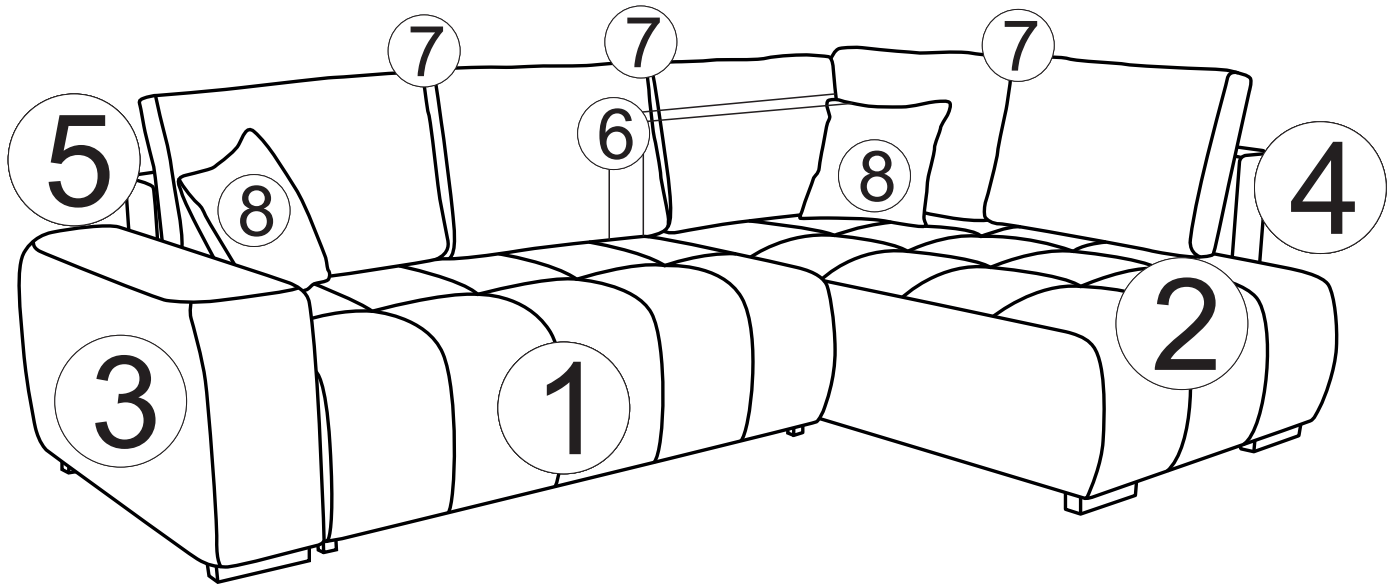
Angle gauche

Page: 6-9

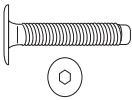
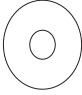
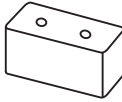
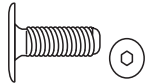

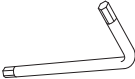


<p>A  Ax12 M6x40</p>	<p>B  Bx8</p>	<p>C  Cx4</p>	<p>D  Dx2 5x30</p>
<p>E  Ex10 Felt</p>	<p>F  Fx1 Key4</p>	<p>G  Gx2</p>	<p>H  Hx8 5x55</p>
<p>I  Ix4</p>	<p>J  Jx8 M6x20</p>		

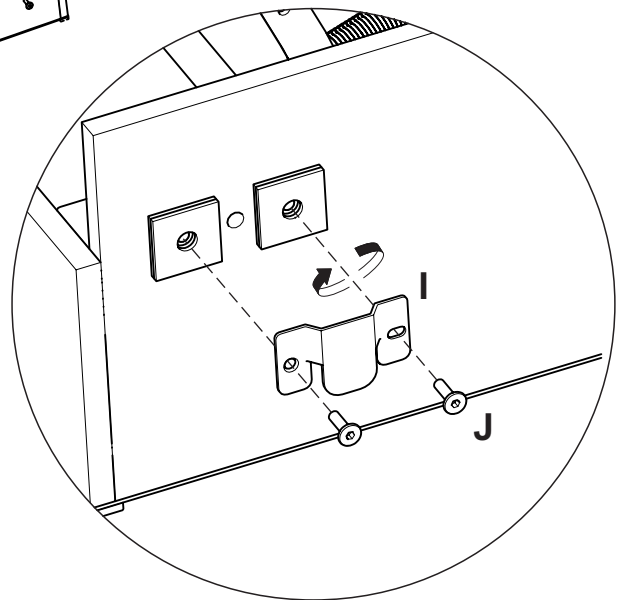
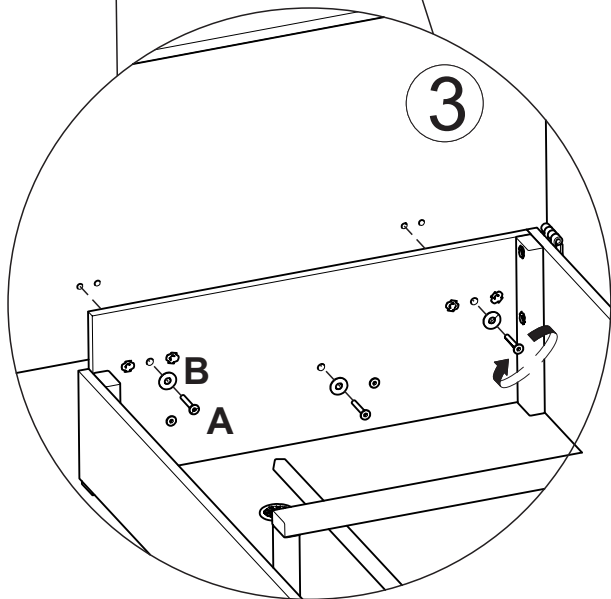
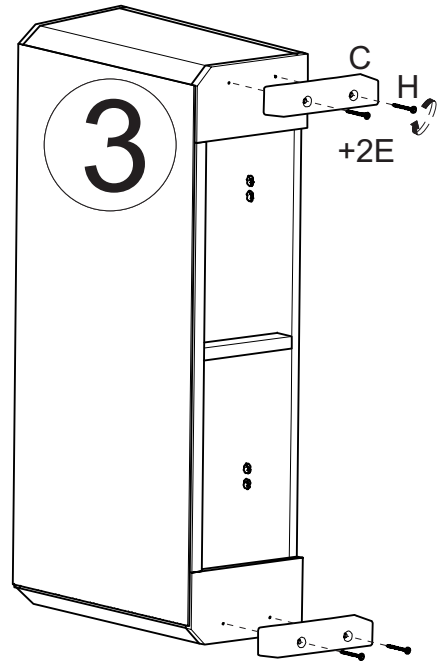
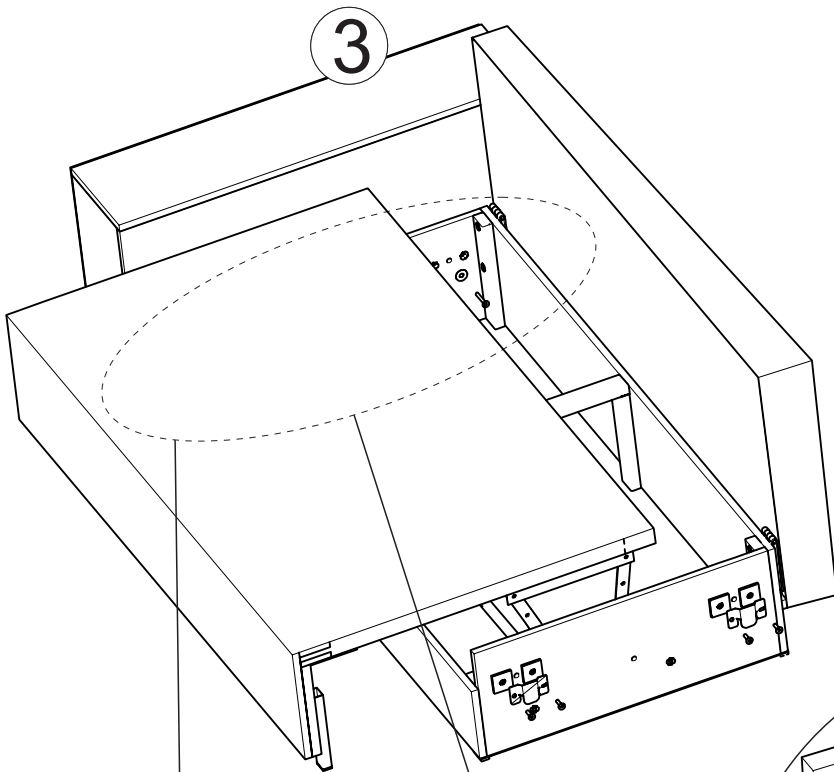


GYLIAN Angle gauche

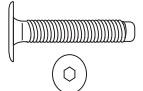
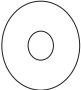
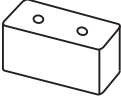
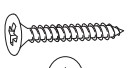

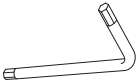
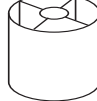

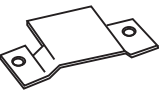
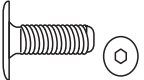


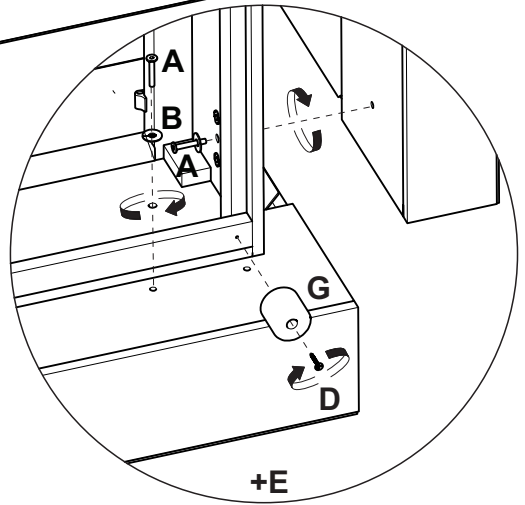
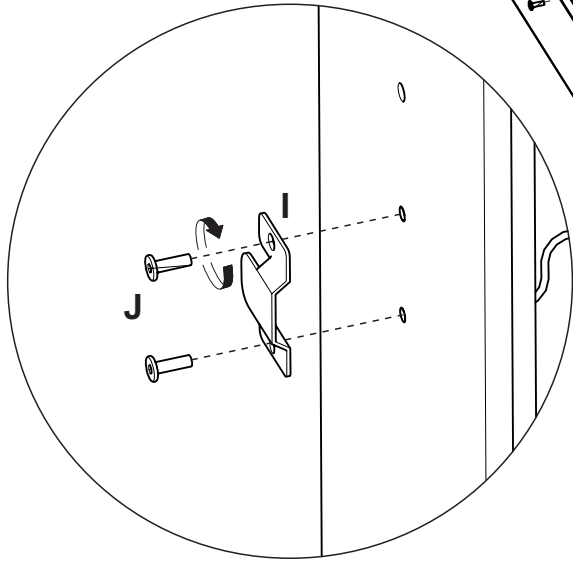
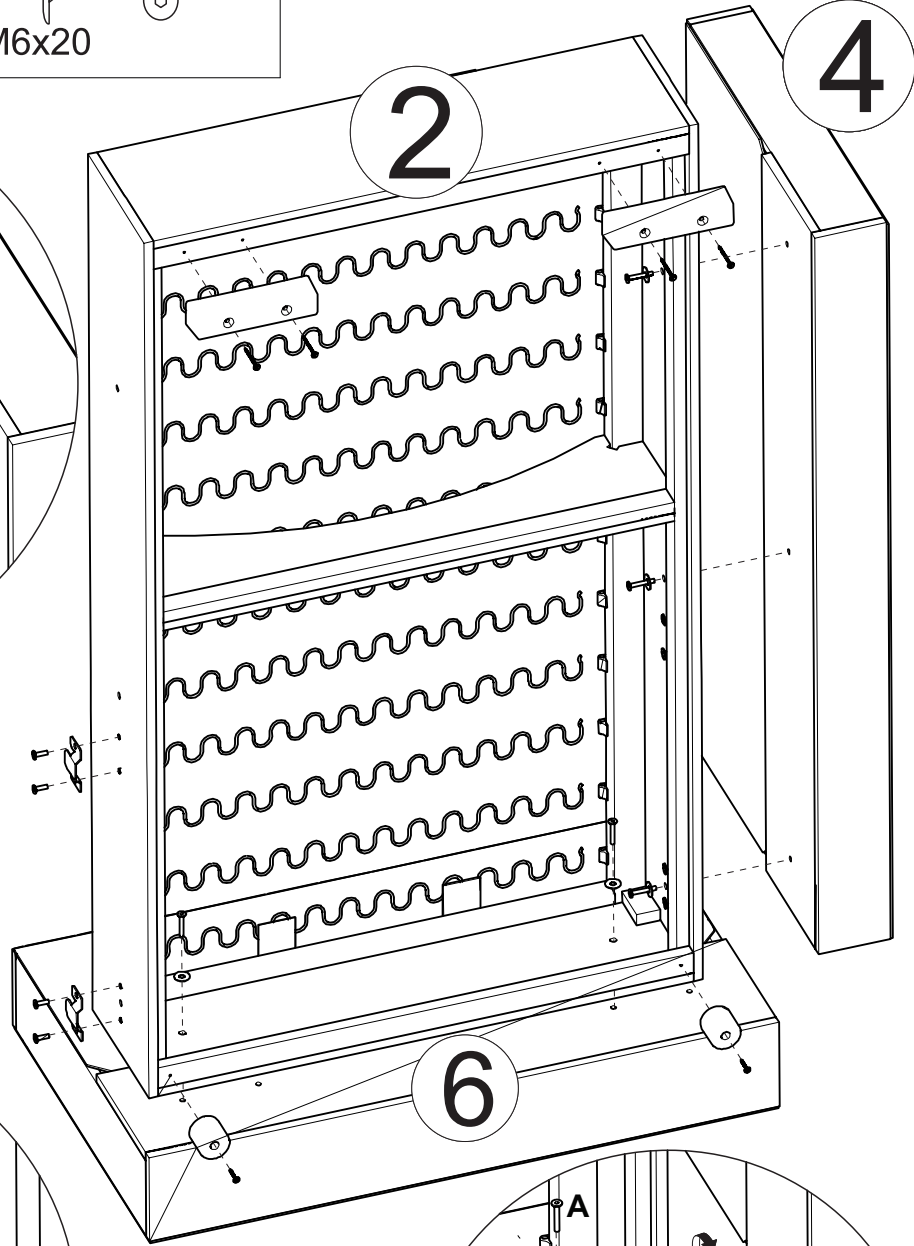
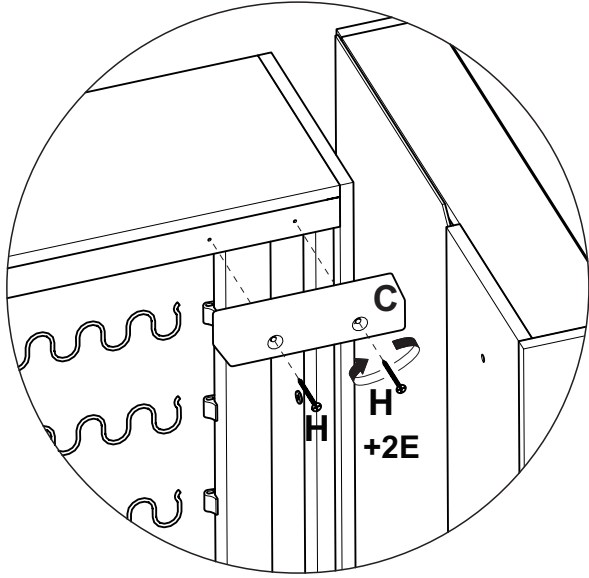
2

A		Ax3 M6x40	B		Bx3	C		Cx2	J		Jx4
E		Ex4 Felt	F		Fx1 Key4	H		Hx4 5x55	I		Ix2 5x55

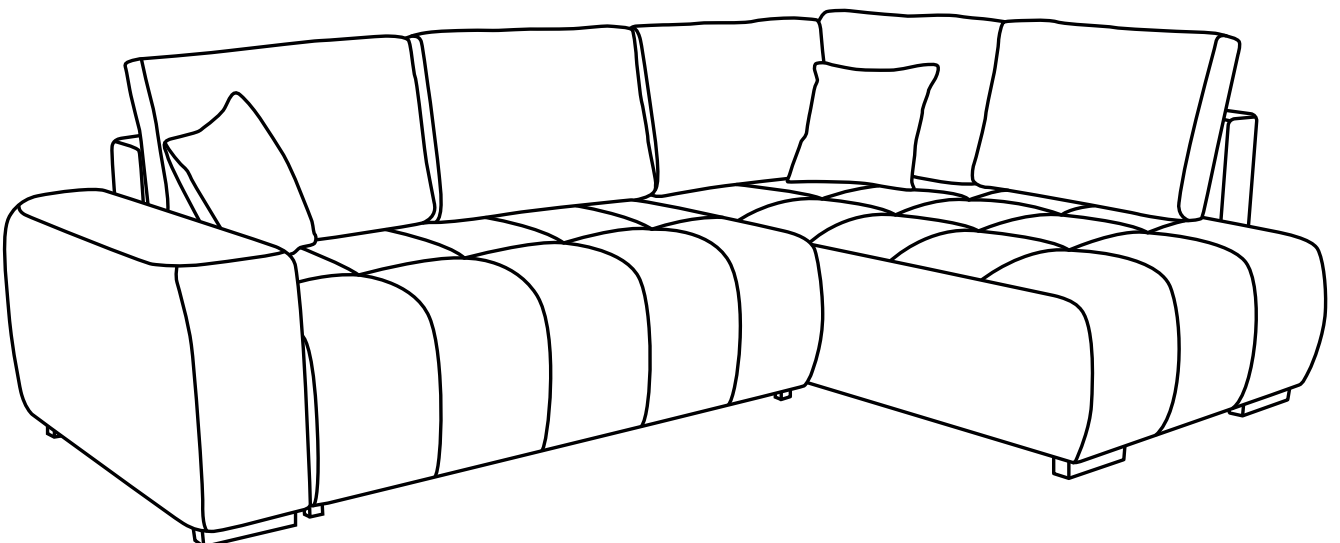
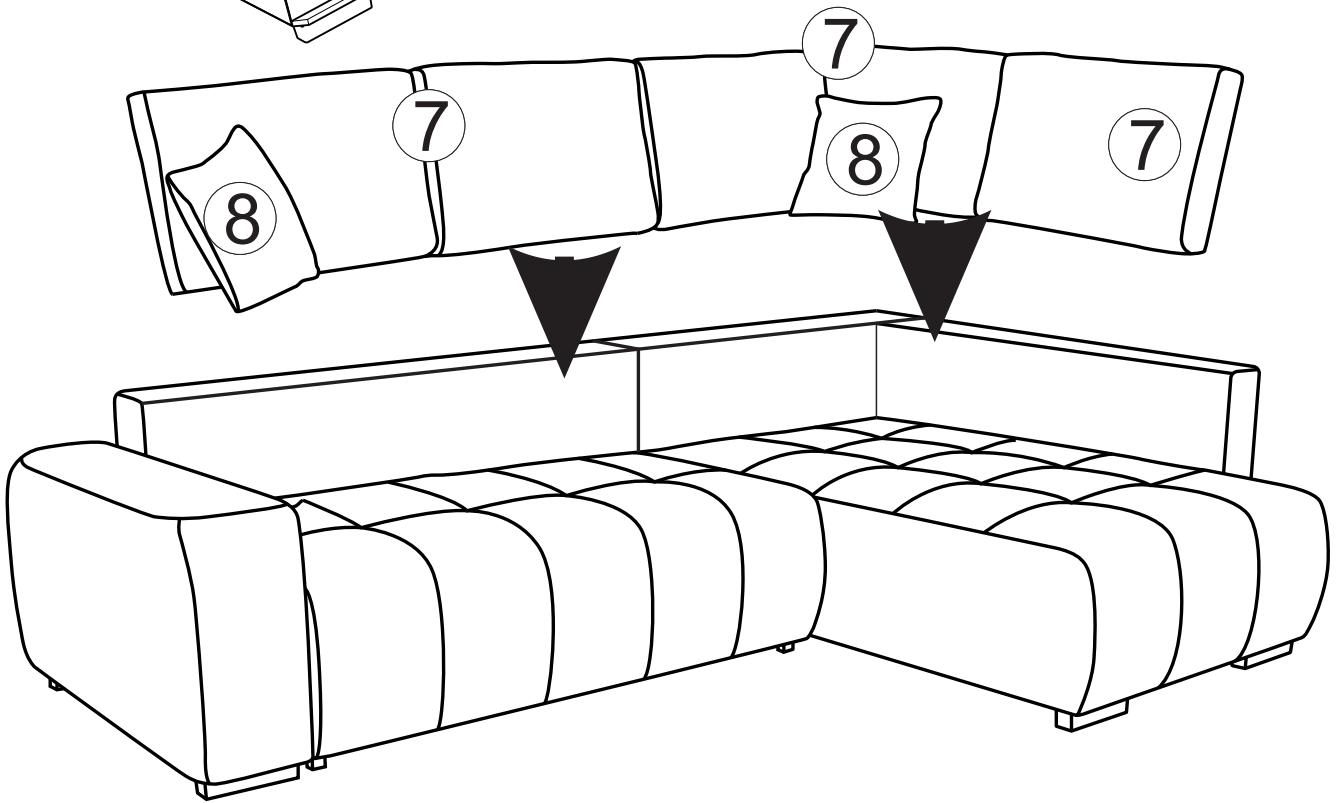
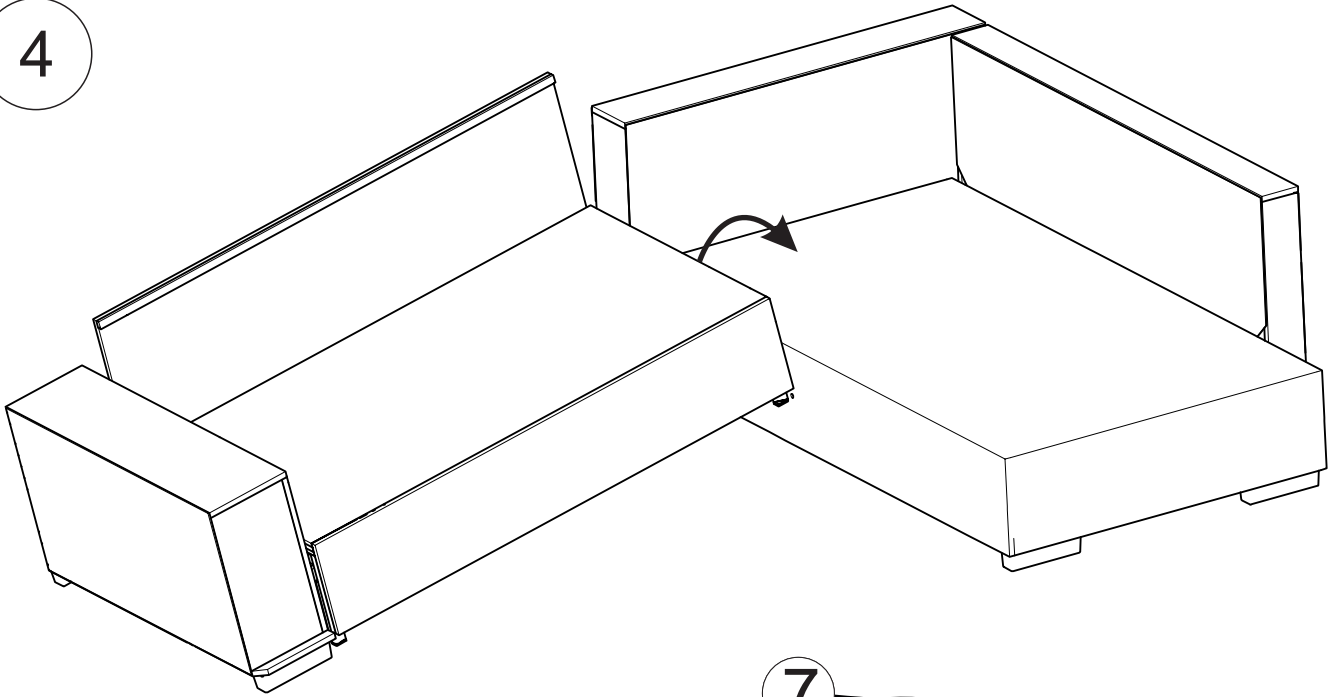


3

A		Ax5 M6x40	B		Bx5	C		Cx2	D		Dx2 5x30
E		Ex6 Felt ∅22	F		Fx1 Key4	G		Gx2	H		Hx4 5x55
I		Ix2	J		Jx4 M6x20						

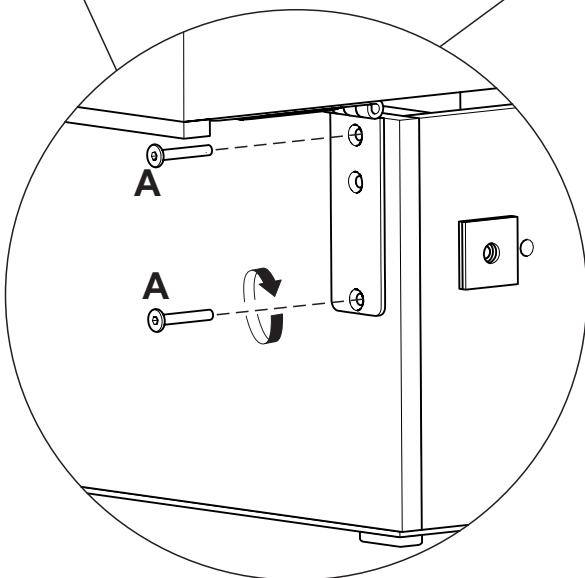
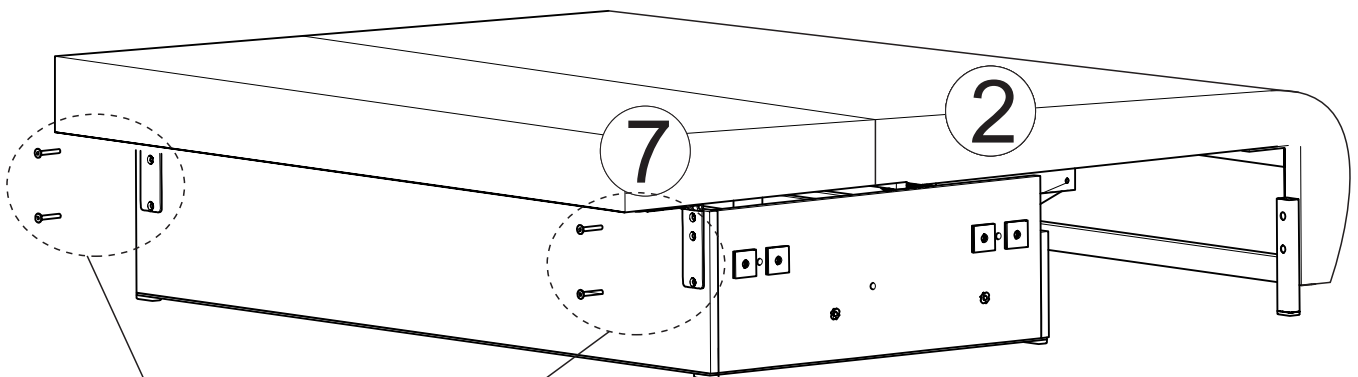
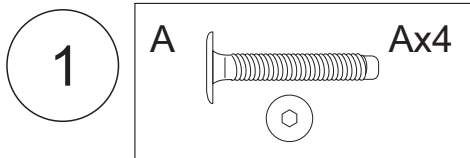
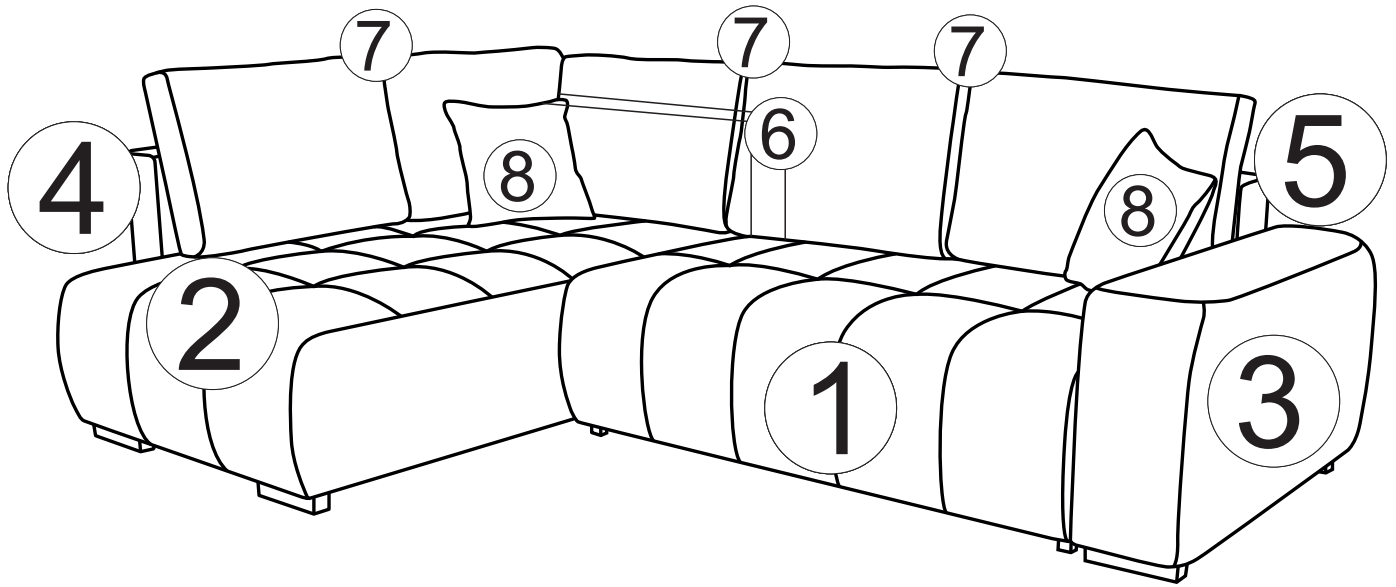


4

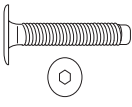
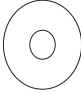
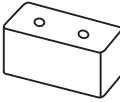
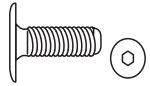

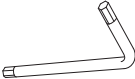

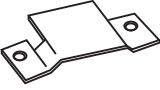


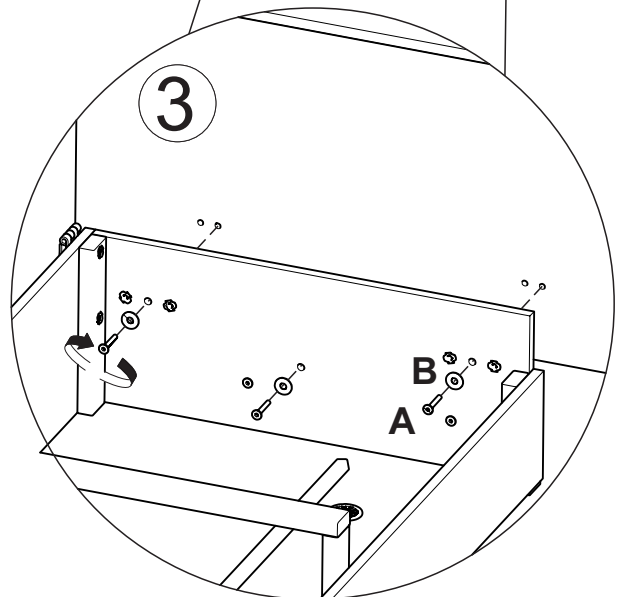
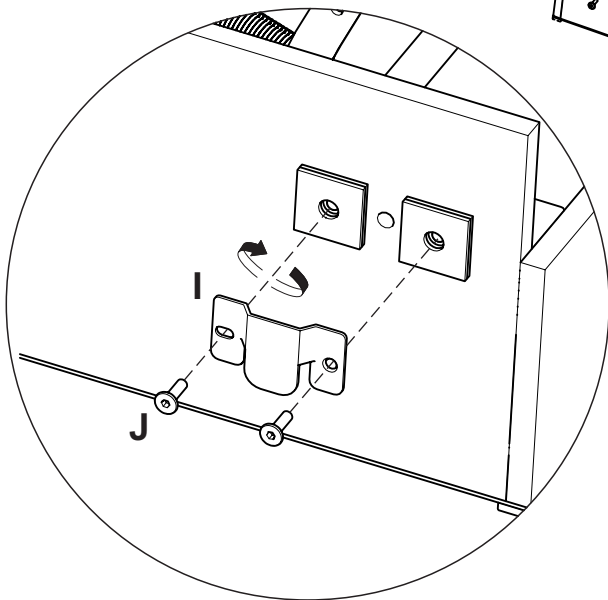
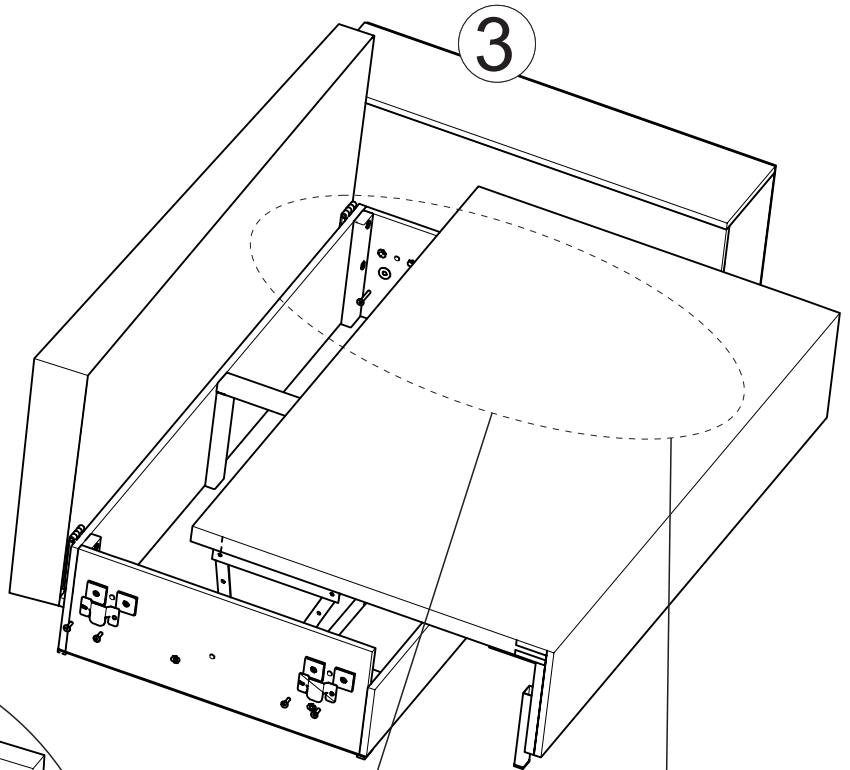
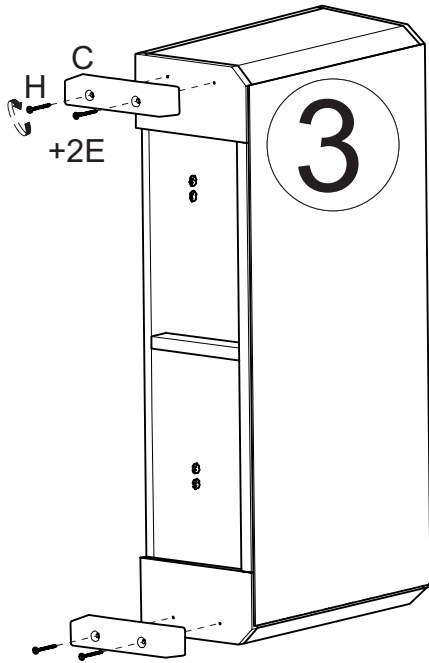


GYLIAN Angle gauche

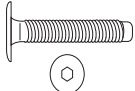
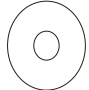
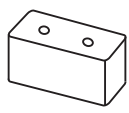
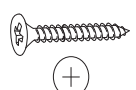

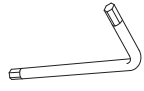
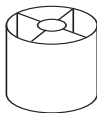

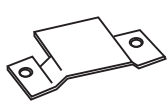



2

A	 Ax3 M6x40	B	 Bx3	C	 Cx2	J	 Jx4
E	 Ex4 Felt	F	 Fx1 Key4	H	 Hx4 5x55	I	 Ix2 5x55

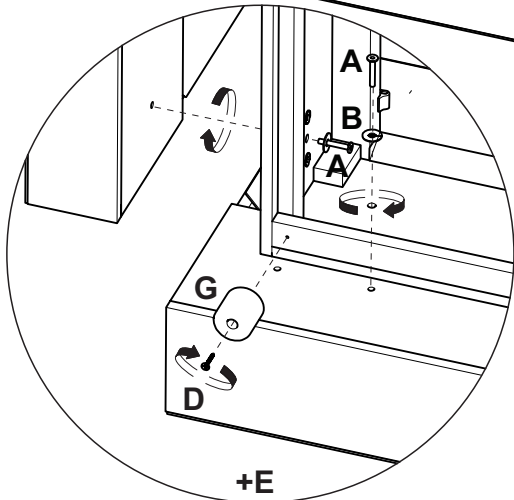
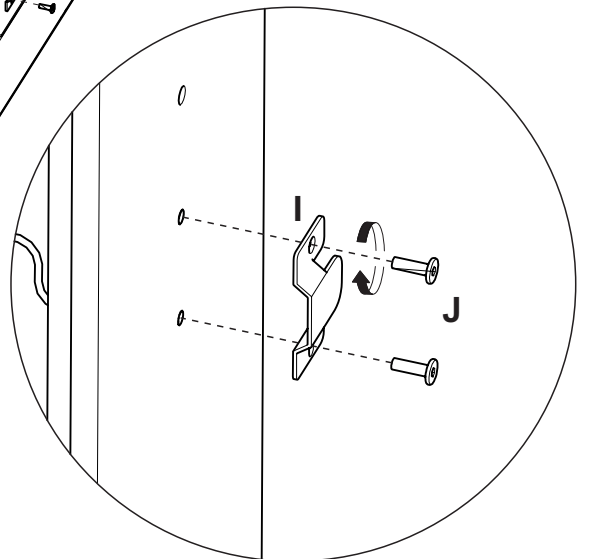
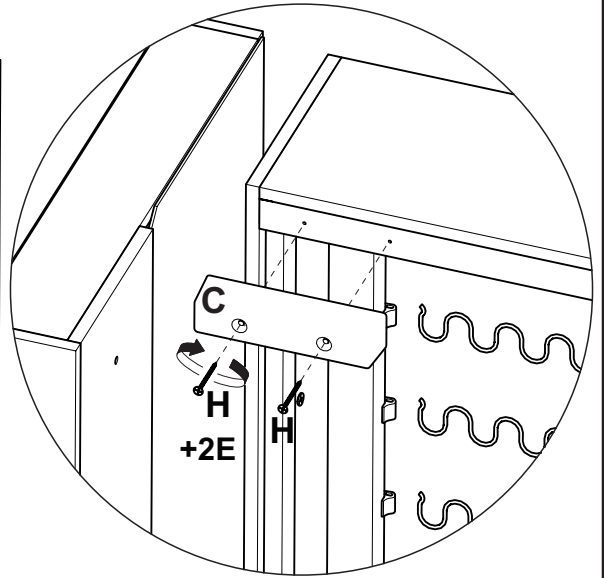
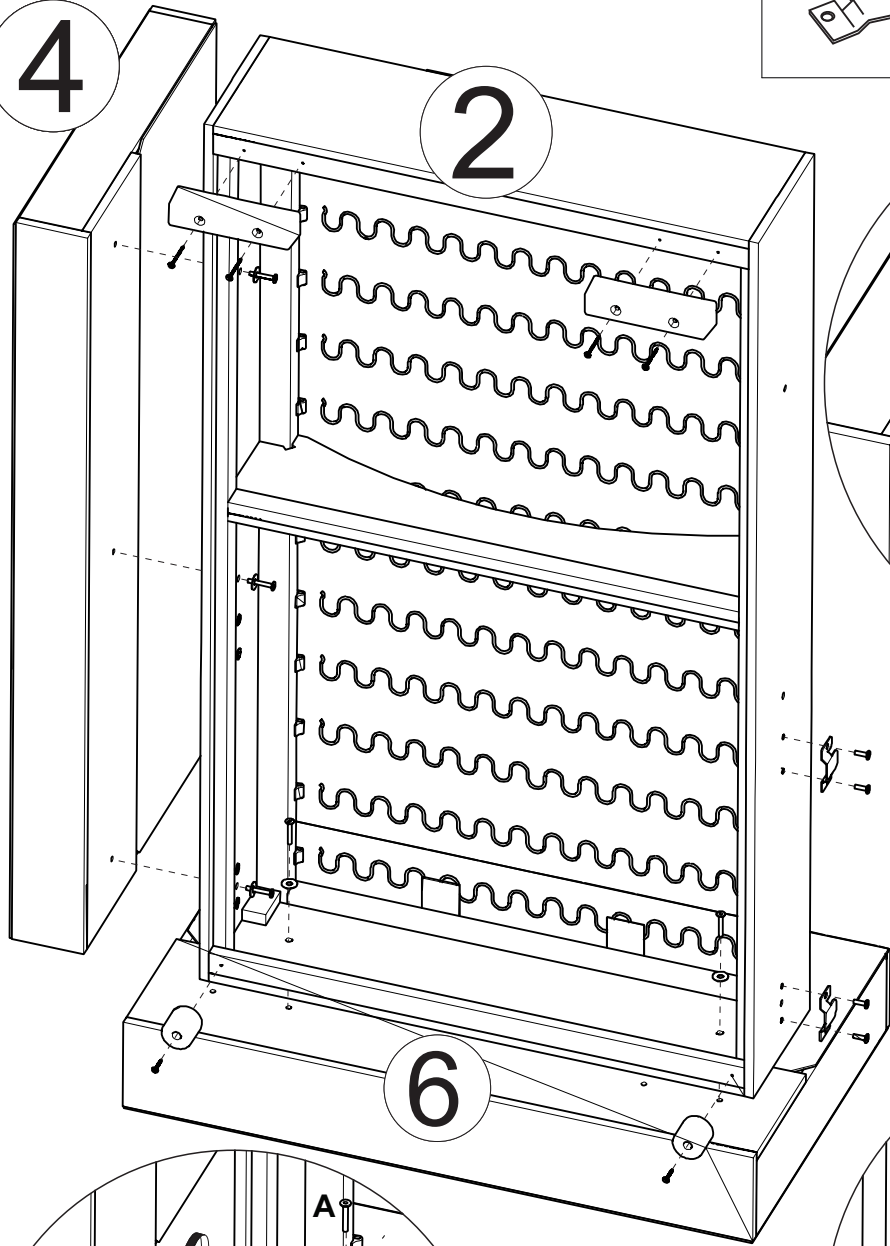


3

A	 Ax5 M6x40	B	 Bx5	C	 Cx2	D	 Dx2 5x30
E	 Ex6 Felt $\varnothing 22$	F	 Fx1 Key4	G	 Gx2	H	 Hx4 5x55
				I	 Ix2	J	 Jx4 M6x20

4

2



4

